

## KGY Burners Introduction

The KGY burners represents KOOLAK GOSTAR YAZD's last step of innovation in terms of Low NOx technology applied to the burners.

The main difference between KGY burners and other products on the market is its all-steel body.

Another feature of KGY burners is adding a spiral to the fan. The existence of a spiral, in addition to directing the air to the combustion path, helps the fan to work at a balanced pressure causing complete combustion and increasing the efficiency of the burner. KGY burners are applicable for all types of hot water boilers, steam boilers, heaters and hot air furnaces.



## KGY Burners Features



- In thermal capacities between 100,000 to 450,000 kilo calories
- High ignition security
- In gas, gasoil and dual fuel models
- Equipped with a 6-blade steel propeller to direct and speed up the air flow
- Low depreciation, low consumption
- Single phase electric motor 220 V, 50 Hz
- Very high efficiency
- Danish Danfoss pump
- Sound deadening cover
- 1 year warranty and 10 years after sales service
- Full steel body
- Reasonable price
- Suitable for hot air furnaces, hot water boilers, power stations, steam boilers

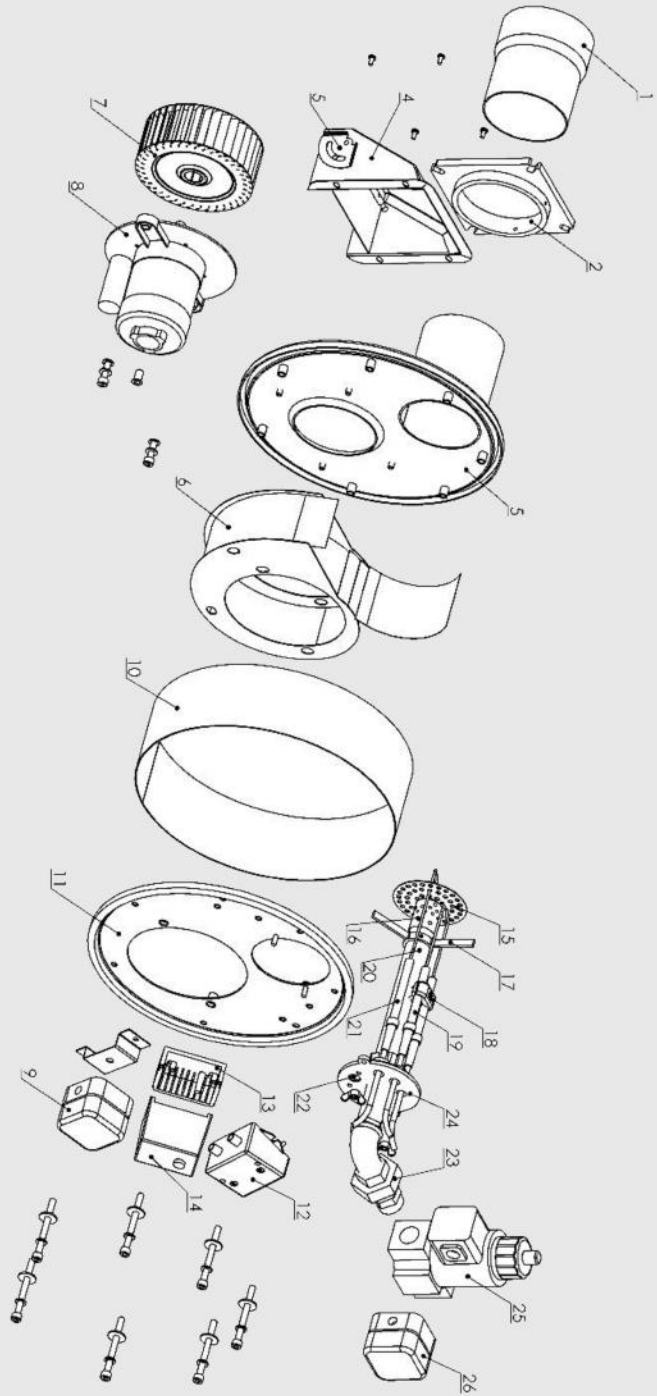
## Advantages

- High durability due to high quality
- Complete combustion of the fuel and thus increasing the efficiency of the burner
- Easy installation and maintenance
- Equipped with a spiral to guide and strengthen the air flow entering the burner
- Extensive after-sales service
- Valve unit with a double oil safety valve on the output circuit and double safety valve on the return circuit
- Air damper with external adjustment, with no need to remove the cover
- Fuel feed solenoid incorporated in the pump
- Protection filter against radio interference
- Photocell for flame detection with optical fiber



## System Parts

Number	Name of the part
1	Hat
2	Burner connection flange
3	Inlet air vent
4	Inlet air adjustment
5	Front body
6	Snail-like
7	Fan
8	Burner motor
9	Gasoil pump
10	Middle body
11	Back body
12	Spark transformer
13	Relay stand
14	Relay
15	Flame distributor
16	Nozzle
17	Flame distributor stand
18	Ignition electrode holder
19	Ignition electrode
20	Gasoil tube
21	Photocell
22	View aperture
23	Bend
24	Flange
25	Electric valve
26	Gas pressure



## KGY Burners Technical Specifications

Features	Unit	KG100	KG170	KG250	KG450
Fuel type	CNG	Natural gas	Natural gas	Natural gas	Natural gas
Gas pressure	mbar	18-25	18-25	18-25	18-25
Gas consumption	m <sup>3</sup> /h	4.2 - 10.4	10.4 - 17.7	15.6 - 21	25 - 46.9
Thermal capacity	Kcal/h	40000-100000	100000-170000	150000-250000	240000-450000
	KW	46.5 - 116.2	116.2 - 197.6	174.3 - 290.6	278.9 - 523
Control unit	-	G790	G790	G790	G790
Gas electrical valve	-	$\frac{3}{4}$ "	"1	1	$1\frac{1}{2}$ "
Electric motor	w/rpm	100/2700	250/2700	250/2700	450/2700
Input power	Ph/V/Hz	1/220/50	1/220/50	1/220/50	1/220/50

Features	Unit	KG Burner 1-3	Kg Burner 3-5	KG Burner 5	KG Burner 7-13
Fuel	Oil	Oil	Oil	Oil	Oil
Fuel consumption	L/h	4.71 - 11.76	11.76 - 20	17.65 - 29.41	28.24 - 52.94
Thermal capacity	Kcal/h	40000-100000	100000-170000	150000-250000	240000-450000
	Kw	46.5 - 116.2	116.2 - 197.6	174.3 - 290.6	278.9 - 523
Valve	-	TF701	TF701	TF701	TF701
Electric valve	-	$\frac{1}{8}$ "	$\frac{1}{8}$ "	$\frac{1}{8}$ "	$\frac{1}{8}$ "
Electric motor	w/rpm	100/2700	250/2700	250/2700	45/2700
Input power	Ph/V/Hz	1/220/50	1/220/50	1/220/50	1/220/50