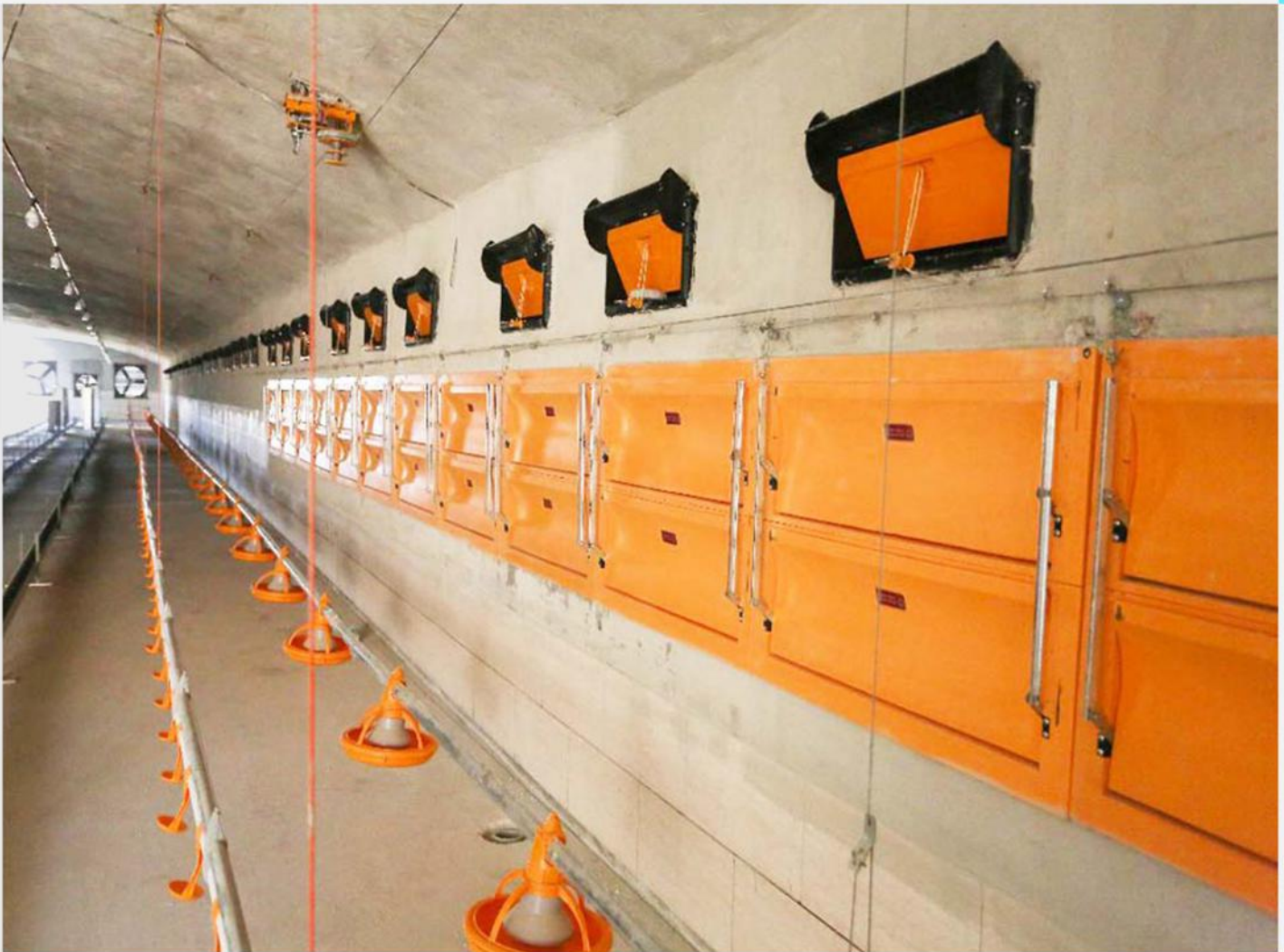


# Inlet Vent



## Inlet Vent Introduction



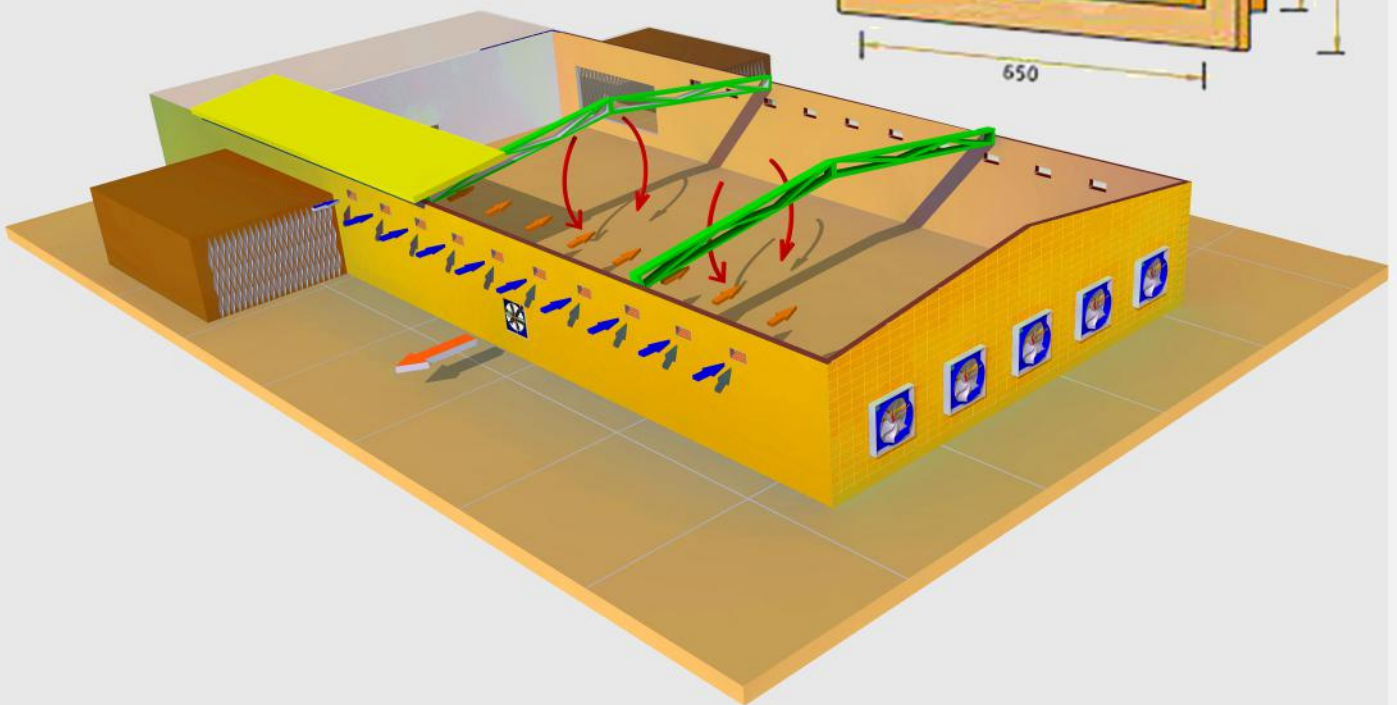
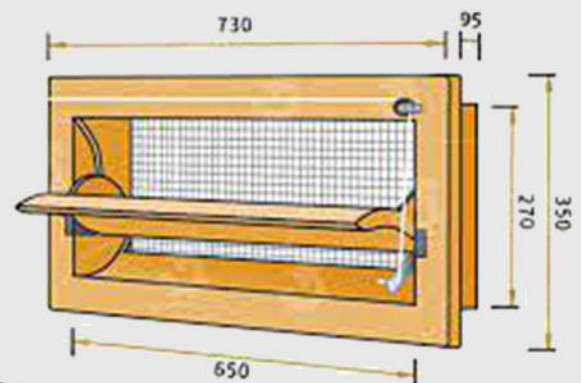
- For the minimum ventilation in winter and mixed ventilation in summer, the inlet vents are used in the halls which provide pleasant and uniform air in all seasons and by reducing fuel consumption, will ventilate in the winter.

# Inlet Vent



## Structure and Advantages

- The inlet window has a solid structure made of ABS products and its aerodynamical design is completely insulated from the entering of outside air when it is closed and after opening, it directs the fresh air to the top of the hall and creates proper convection flow and good uniformity in the hall.
- Solid and soft springs used in this inlet, prevents any damage to motor winch and the existence of an adjustable brow-like, changes the air direction path in different seasons.





# Inlet Vent

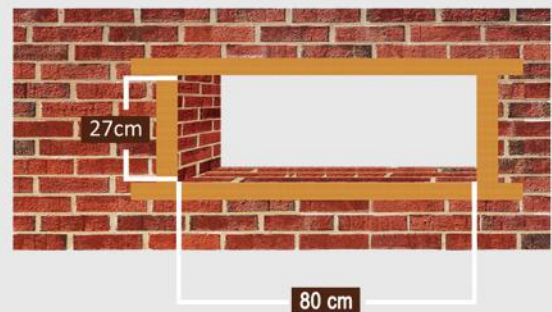


## Inlet Vent Control

- The measure of opening and closing of the inlet vent is provided with accessories and is controlled by using electric winches and connection to automation, according to the pressure, temperature and volume of different gases in the hall



Vent Frame Dimensions 35\*90



Vent Frame Dimensions 60\*30

